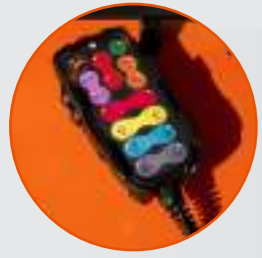


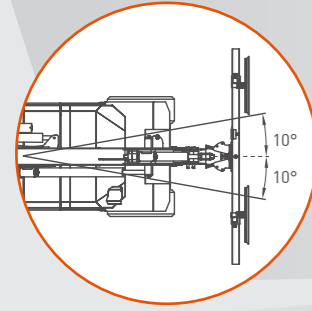
MPK06 Main Features



- ✓ 3 MOVEMENTS AT THE SAME TIME
- ✓ FULLY ELECTRIC
- ✓ ADJUSTABLE SPEED

TRIPLE LINKAGE ON MANIPULATOR

For even more flexibility in movements.



MAIN COLUMN ELECTRIC ROTATION

The only Pick&Carry crane with +/- 10° electric rotation of the main column.

HOOK OR MANIPULATOR MODE

The only Pick&Carry crane with both hook mode in compliance with EN13000 standard and vacuum manipulator.



EN13000

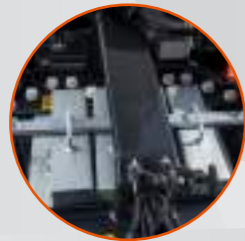
DRAWBAR BLOCK

For back/forth sliding movement controlled by remote control.



REMOVABLE COUNTERWEIGHT

Modular removable counterweight.



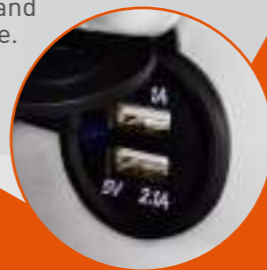
THE ONLY ONE WITH CONTINUOUS 360° ROTATION

Electric or mechanical rotation.



USB PORT + TOOLBOX

USB port for your electronic devices and toolbox for storage.



JEKKO
MPK06



Jekko srl
Via Campardone, 1 - 31014 Colle Umberto (TV) Italy
info@jekko.it - www.jekko-cranes.com

Product Catalog

MPK

MPK06

max 600 kg

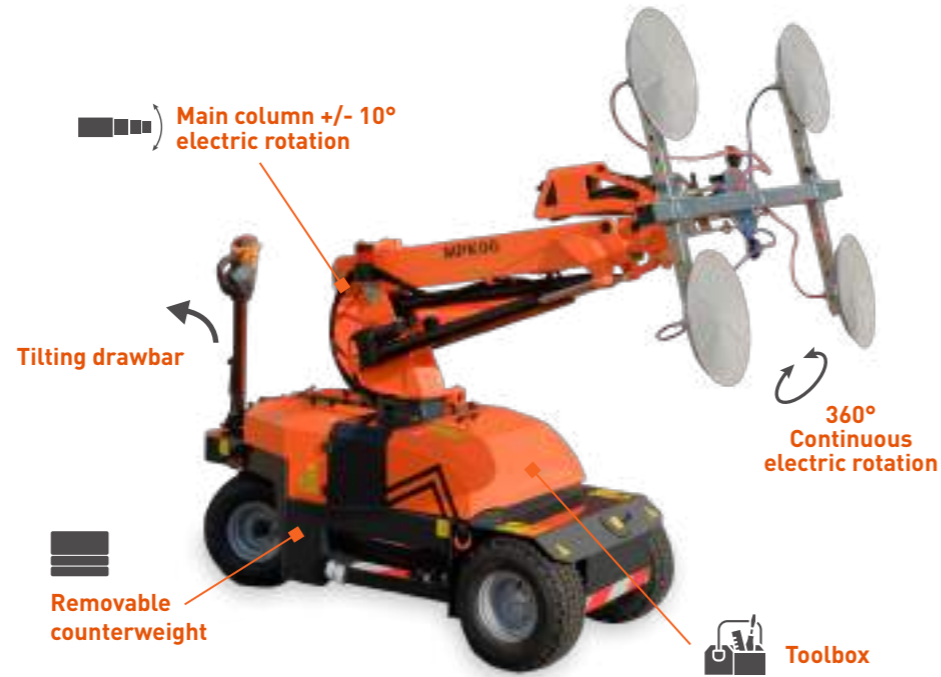
1845 x 835 x 1360 mm

The only minipicker that can be used with a manipulator with suction caps or in hook mode in compliance with EN13000 regulation. Up to three movements at the same time without losing power.



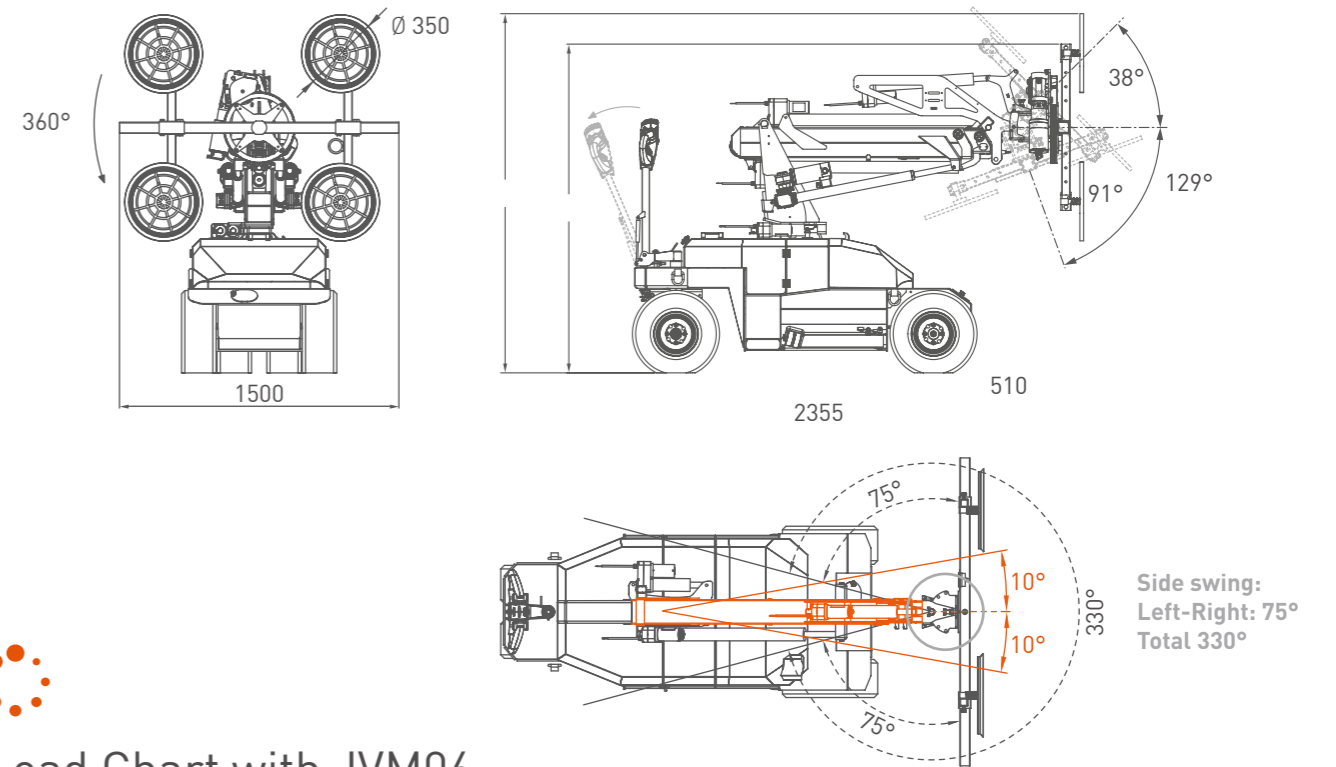
Technical Information

Dimension	L x W x H	1845 x 835 x 1360 mm
Crane & Options Weights		Kg
		650
	Removable Counterweight	270
	JVM06	70
		990
MPK06	Battery	2 Batteries 12 V 155 Ah



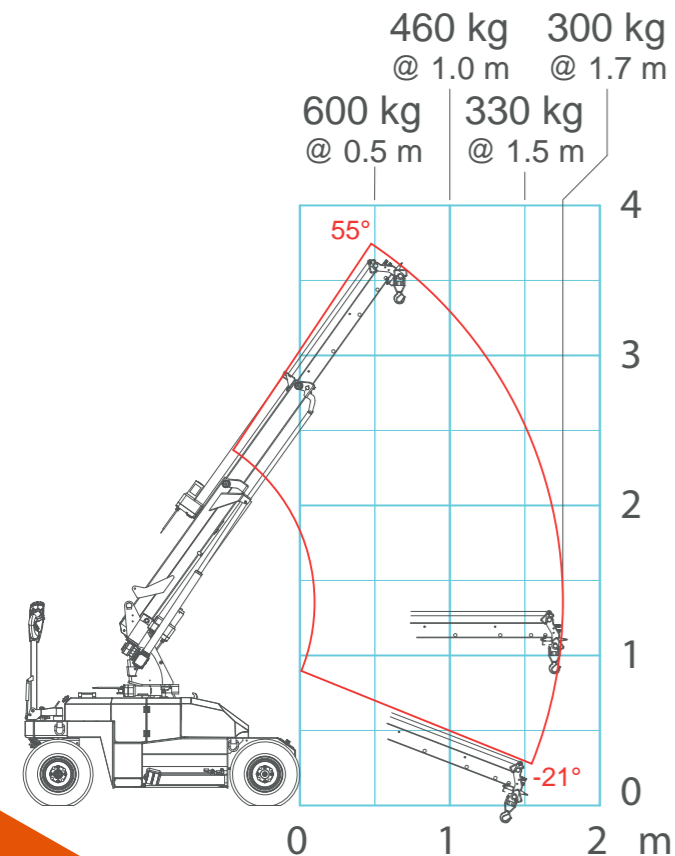
Dimensions with JVM06 Manipulator

version with 2 electric boom extensions



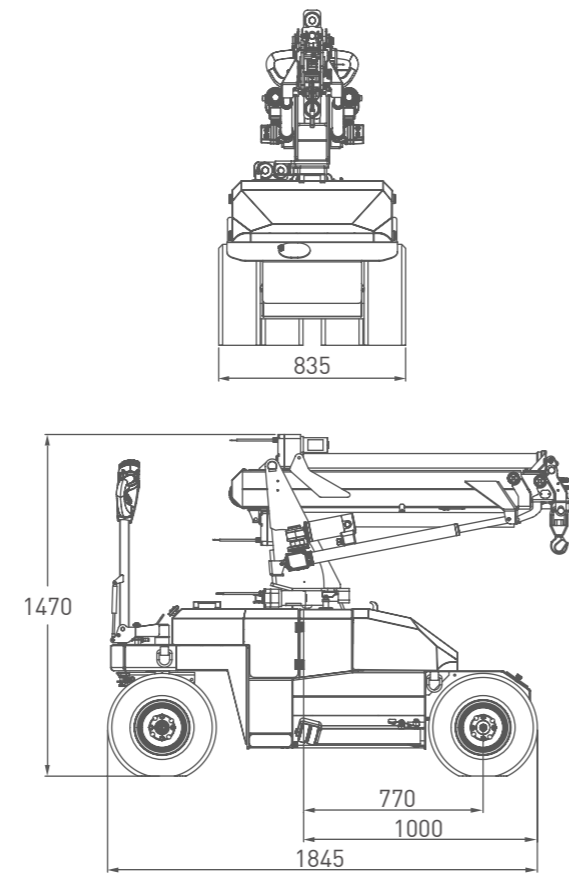
Dimensions

version with 2 electric boom extensions



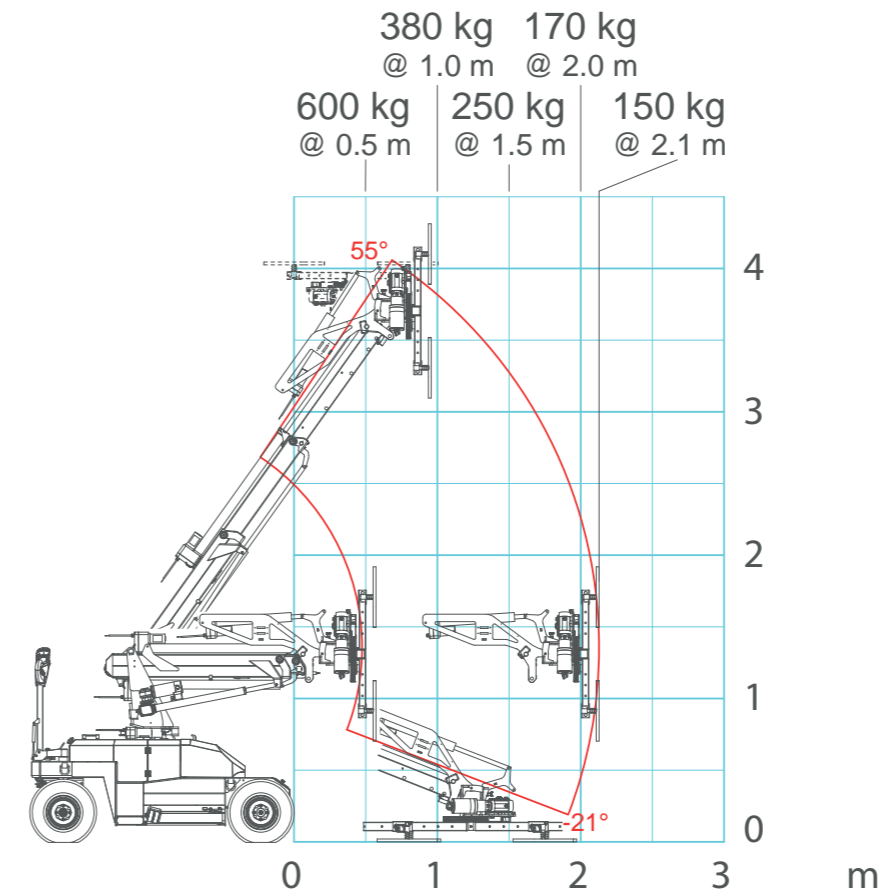
Hook Mode Load Chart

version with 2 electric boom extensions



Load Chart with JVM06

version with 2 electric boom extensions



OPTIONAL:

- Double electric boom extension
- Runner jib
- White wheels
- Manipulator electric rotation